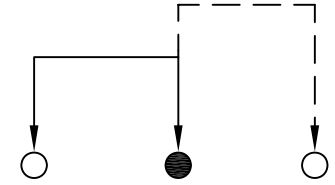
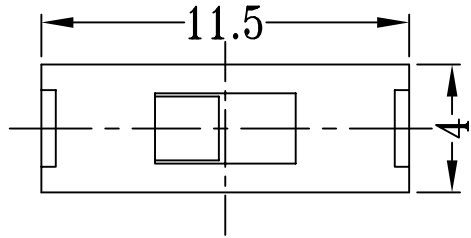
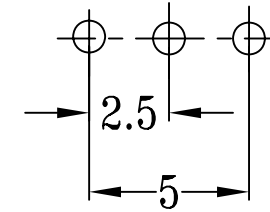
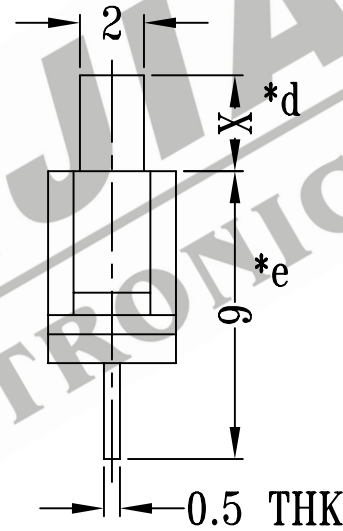
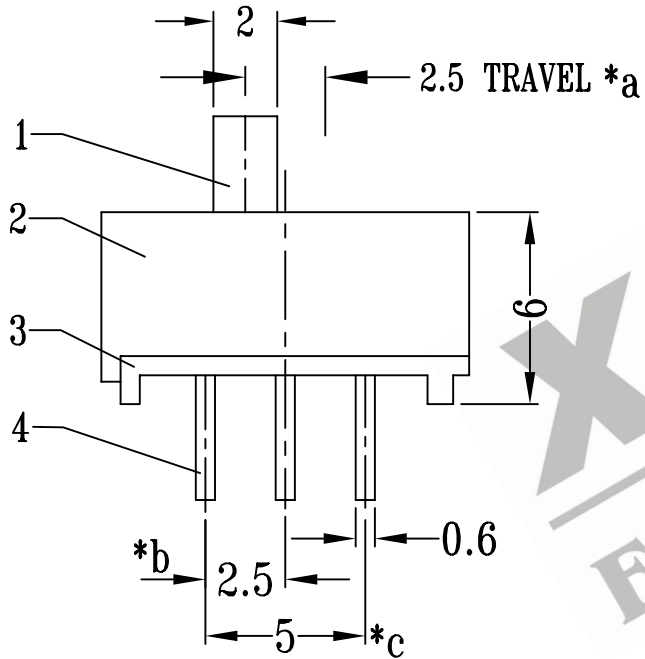


CAD FILE:



SCHEMATIC (SHORTING)



P.C.BLAYOUT

注:带"*"表示关键尺寸(5个)

8					TOLERANCE UNLESS SPECIFIED	SHENZHEN XIEJIA ELECTRONICS CO.,LTD.					
7											
6					WITHIN: 1.5±0.1mm OVER : 1.5±0.2mm	ISSUE	DATE	DESCRIPTIONS		APPD.	
5	CONTACT CLIP	PBS	1	Ag CLAD							
4	TERMINAL	BRASS STRIP	3	Ag PLATED OVER Ni PLATED	TITLE : VERTICAL SLIDE SWITCH	UNIT : MM	DRWG NO.: XJ-DR-SS12E09-00				
3	CASE	POM	1	BLACK							
2	COVER	POM	1	BLACK	MODEL: SS-12E09	SCALE: 4:1	DWN.	ZHOUYU	2002-12-4		
1	KNOB	POM	1	BLACK/GREY			CHK'D	FANGYING	2002-12-4		
NO.	PART NAME	MATERIAL	Q'TY	FINISHING	ALL MATERIALS MUST BE COMPLIANT TO ROHS			APPD.	KANGXINAN	2002-12-4	